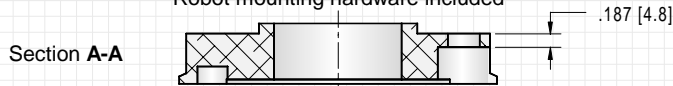
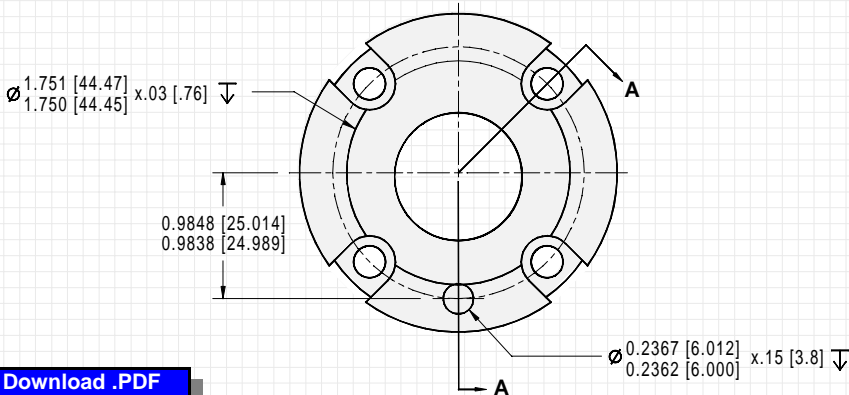


This surface mounts directly to **ISO style mounting flanges** For robots listed below.

Robot mounting hardware included



This surface mounts directly to all **RISTEC -071 series Modules** Use Mounting Kit **MCC-071-001**



[Download .PDF](#)
[MFI-071-003-PDF.zip](#)
[This Data Sheet](#)

[2D & 3D CAD Files](#)
[MM-071-2D-DWG.zip](#)
[MM-071-2D-DXF.zip](#)
[MM-071-3D-DWG.zip](#)
[MM-071-3D-ACIS.zip](#)
[MM-071-3D-STEP.zip](#)
[CAD File Downloads](#)

ORDERING

Order Accessories & Modules Separately

ORDER NUMBER: **M FI - 071 - 003**

Product Family:

Mounting Accessories **M**

Accessory:

Flange, ISO Mounting Style **FI**

Size:

For All 071 Series RISTEC Modules **071**

Style:

(4)M6 x 50mm Dia B.C., 31.5mm Pilot, 6mm Dowel **003**

ACCESSORIES: order separately

Clamp Collar Kit **MCC-071-001**

Blank Adapter Plate, Thin **MAP-071-001**

Blank Adapter Plate, Thick **MAP-071-002**

Mass Properties:

Weight [Mass]	W	0.15Lb	0.07 Kg
Center of Gravity	Cg	0.19 in	4.8 mm

This adapter mounts RISTEC-071 series modules directly to these robots

CRS	F3
KUKA	KR 15 L6/2
KUKA	KR 15/2
KUKA	KR 6/2
KUKA	VKR 15 L6/2
STABULI	RX130
STABULI	RX130CR
STABULI	RX130L
STABULI	RX130LCR