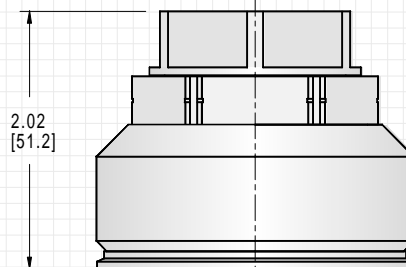
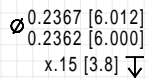
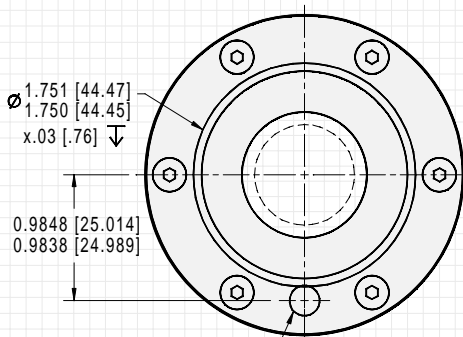


**Shaft Clamp Bushing**  
Required to Clamp Mounting Module to Robot. **Order separately.** 20 or 25 mm Dia. Available. →

**Mounting Module**  
With Six Removable Standoffs for Electrical and Pneumatic Utilities Access. Shaft Clamp Bushing Sold Separately.

This Surface Mounts Directly to all **RISTEC-071 Series Modules**  
Use Mounting Kit **MCC-071-001**



**Mounting Module**  
With Standoffs Removed for Robots with Utilities Access Through the Shaft ID.

[Download .PDF](#)  
[MSO-071-001-PDF.zip](#)  
[This Data Sheet](#)

**2D & 3D CAD Files**  
[MM-071-2D-DWG.zip](#)  
[MM-071-2D-DXF.zip](#)  
[MM-071-3D-DWG.zip](#)  
[MM-071-3D-ACIS.zip](#)  
[MM-071-3D-STEP.zip](#)  
**CAD File Downloads**

**ORDERING**

Order Shaft Clamp & Mounting Module Separately

**ORDER NUMBER:** **MSO - 071 - 001**

**Product Family :**

Mounting Accessories **M**

**Accessory :**

Shaft Mounting Module **SO**

**Size :**

For All 071 Series RISTEC Modules **071**

**Style :**

For 20 mm or 25 mm Shaft Mounting **001**

Order Shaft Clamp & Mounting Module Separately

**ORDER NUMBER:** **SCB - D  - 001**

**Size :**

Shaft Clamp Bushing for 25mm Shaft **25**

Shaft Clamp Bushing for 20mm Shaft **20**

**ACCESSORIES:** order separately

Clamp Collar Kit	<b>MCC-071-001</b>
Blank Adapter Plate, Thin	<b>MAP-071-001</b>
Blank Adapter Plate, Thick	<b>MAP-071-002</b>

**Mass Properties:**

Weight [Mass]	<b>W</b>	0.98 Lb	0.44 Kg
Center of Gravity	<b>Cg</b>	0.88 in	22.3 mm

This adapter mounts **RISTEC-071 series modules** directly to these robots

Use **SCB-D25-001** for These 25mm Shaft Robots

DENSO	HC-4545_C
DENSO	HC-4555_C
IAI	IH-500
IAI	IH-600
IAI	IH-700
IAI	IH-800
PANASONIC	HR-5755
PANASONIC	HR-5755C
PANASONIC	HR-5755ZH
PANASONIC	HR-5785
PANASONIC	HR-5785C
SANKYO	SR8438
SANKYO	SR8438C
SANKYO	SR8438DP
SANKYO	SR8438WP
SEIKO	EL650
SEIKO	ES450
SEIKO	ES550
SEIKO	TT8450
SEIKO	TT8550
SONY	SRX-651
YAMAHA	MXYA ZRFA
YAMAHA	SXY ZRF
YAMAHA	SXY ZRFA
YAMAHA	YK1041A-I
YAMAHA	YK740A-I
YAMAHA	YK741A-I
YAMAHA	YK840A-I
YAMAHA	YK841A-I

Use **SCB-D20-001** for These 20mm Shaft Robots

PANASONIC	HR-10755
PANASONIC	HR-10770
PANASONIC	HR-15785
PANASONIC	HR-15785C
SANKYO	SR8437
SANKYO	SR8437C
SANKYO	SR8437DP
SANKYO	SR8437WP
SEIKO	EH850
SEIKO	EH850H
SEIKO	TT8700
SEIKO	TT8800