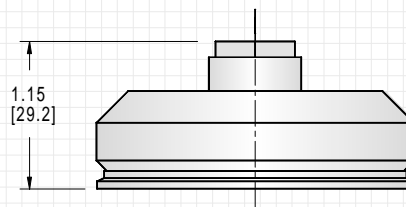
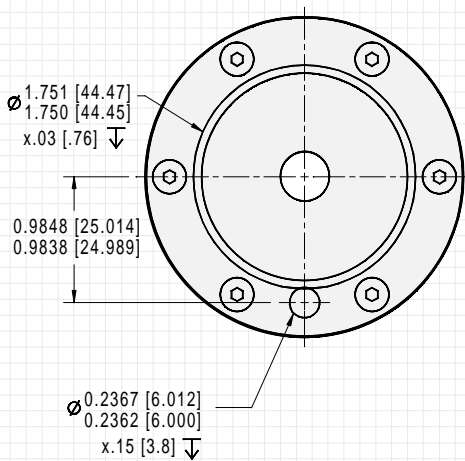
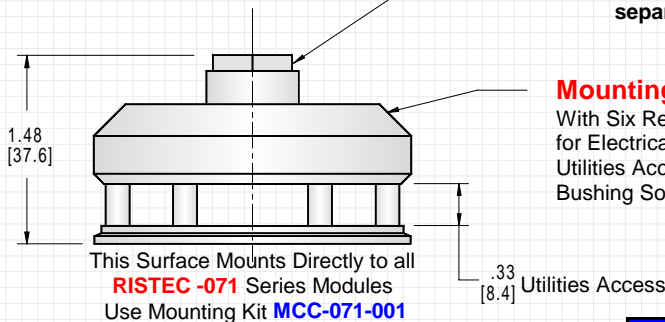


Shaft Clamp Bushing
Required to Clamp Mounting Module to Robot. Order separately.



Mounting Module
With Standoffs Removed for Robots with Utilities Access Through the Shaft ID.

ORDERING

Order Shaft Clamp & Mounting Module Separately

ORDER NUMBER: **M SO - 071 - 004**

Product Family:

Mounting Accessories **M**

Accessory:

Shaft Mounting Module **SO**

Size:

For All 071 Series RISTEC Modules **071**

Style:

For 8 mm Shaft Mounting **004**

Order Shaft Clamp & Mounting Module Separately

ORDER NUMBER: **SCB - D08 - 001**

ACCESSORIES: order separately

Clamp Collar Kit	MCC-071-001
Blank Adapter Plate, Thin	MAP-071-001
Blank Adapter Plate, Thick	MAP-071-002

Mass Properties:

Weight [Mass]	W	0.37 Lb	0.17 Kg
Center of Gravity	Cg	0.69 in	17.5 mm

[Download .PDF](#)
[MSO-071-004-PDF.zip](#)
[This Data Sheet](#)

[2D & 3D CAD Files](#)
[MM-071-2D-DWG.zip](#)
[MM-071-2D-DXF.zip](#)
[MM-071-3D-DWG.zip](#)
[MM-071-3D-ACIS.zip](#)
[MM-071-3D-STEP.zip](#)
[CAD File Downloads](#)

This adapter mounts **RISTEC-071 series modules** directly to these robots

YAMAHA	SXY AXZ
YAMAHA	SXY XZ
YAMAHA	SXY ZRS
YAMAHA	YK420A-I
YAMAHA	YK420ALZ-I
YAMAHA	YK440A-I