

Patents Pending

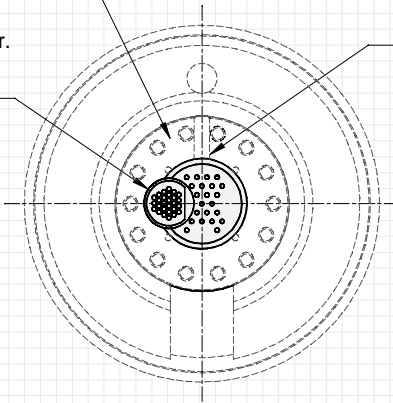
Pneumatic Sub-Module

NOTE: Pneumatic Sub-Module is required to mount Electrical Sub-Module and/or Sensor.

Ø 0.39 [10]

Inductive Lock Sensor

Choice of PNP or NPN
NOTE: Pneumatic Sub-Module is required to Mount Lock Sensor



Mating Connector
TCER-071-003
Data Sheet

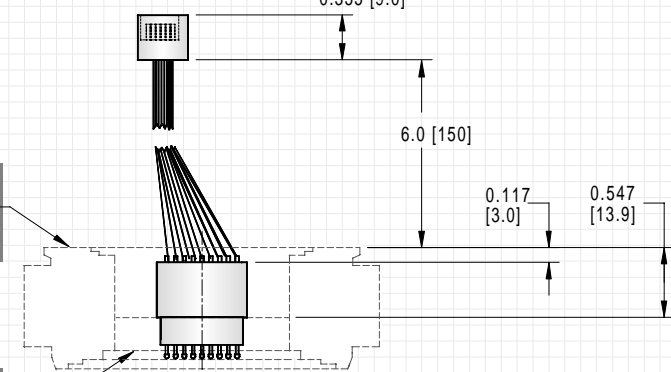


0.355 [9.0]

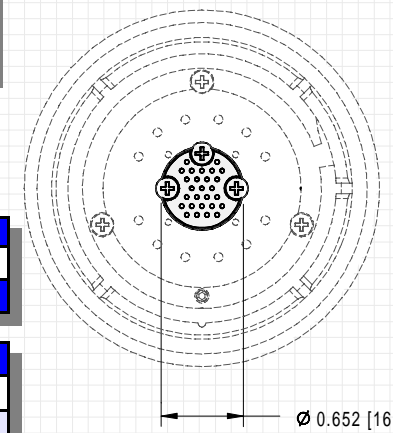
6.0 [150]

0.117 [3.0] 0.547 [13.9]

Robot Module
TCRI-071L
Data Sheet



Pneumatic Sub-Modules
TCPR-071-001
TCPR-071-002
Data Sheets



Electrical Sub-Module

With (25) 3A replaceable Spring Probe Contacts with Connector.
NOTE: Pneumatic Sub-Module is required to mount Electrical Sub-Module and/or Sensor.

Download .PDF
TCER-071-002-PDF.zip
This Data Sheet

2D & 3D CAD Files
TC-071-2D-DWG.zip
TC-071-2D-DXF.zip
TC-071-3D-DWG.zip
TC-071-3D-ACIS.zip
TC-071-3D-STEP.zip
CAD File Downloads

ORDERING

Order Robot Module & Sub-Modules Separately

ORDER NUMBER: TC ER - 071 - 002

Product Family :

Tool Changer **TC**

Sub-Module :

Electrical for Robot Module **ER**

Size :

71 mm OD Robot Module **071**

Style :

(25) 3A Replaceable Spring Probe Contacts with 25 Pin Connector **002**

SUB-MODULES: order separately

Pneumatic with (12) M3 Air Ports	TCPR-071-001
Pneumatic With (8) M5 Air Ports	TCPR-071-002
Electrical w/ (25) 3A w/Solder Cups	TCER-071-001
Electrical w/ (50) 3A w/Solder Cups	TCER-071-004
Electrical w/ (50) 3A w/ (2) Connectors	TCER-071-005

ACCESSORIES: order separately

Replacement Spring Contact Probe	TCER-071-006
Mating (25) pin Electrical Connector	TCER-071-003