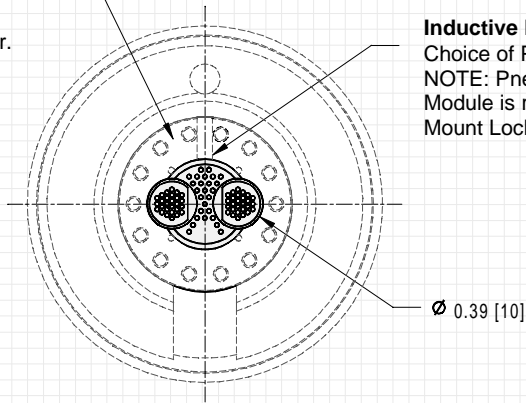


**Pneumatic Sub-Module**

NOTE: Pneumatic Sub-Module is required to mount Electrical Sub-Module and/or Sensor.



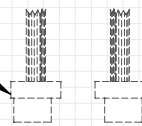
**Inductive Lock Sensor**

Choice of PNP or NPN  
NOTE: Pneumatic Sub-Module is required to Mount Lock Sensor

**Mating Connector**

**TCER-071-003**

**Data Sheet**

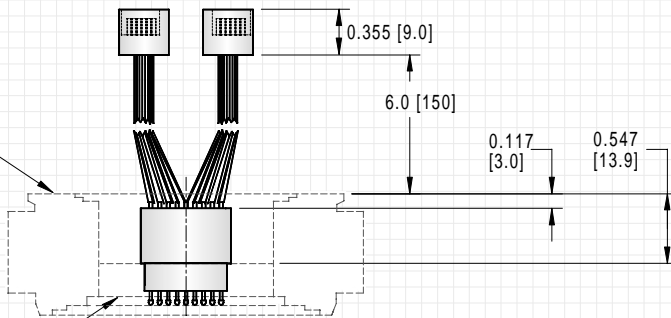


Patents Pending

**Robot Module**

**TCRI-071L**

**Data Sheet**

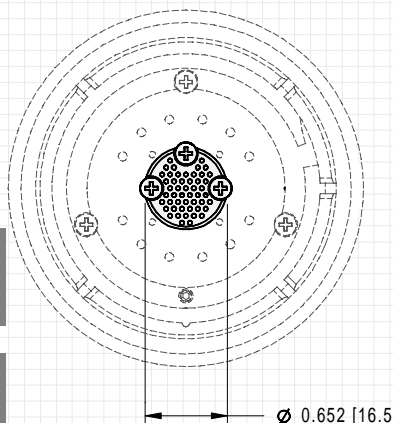


**Pneumatic Sub-Modules**

**TCPR-071-001**

**TCPR-071-002**

**Data Sheets**



**Electrical Sub-Module**

With (50) 3A replaceable Spring Probe Contacts with (2) 25 pin connectors.  
NOTE: Pneumatic Sub-Module is required to Mount Electrical Sub-Module and/or Sensor.

**Download .PDF**

**TCER-071-005-PDF.zip**

**This Data Sheet**

**2D & 3D CAD Files**

**TC-071-2D-DWG.zip**

**TC-071-2D-DXF.zip**

**TC-071-3D-DWG.zip**

**TC-071-3D-ACIS.zip**

**TC-071-3D-STEP.zip**

**CAD File Downloads**

**ORDERING**

Order Robot Module & Sub-Modules Separately

**ORDER NUMBER: TC ER - 071 - 005**

**Product Family :**

Tool Changer **TC**

**Sub-Module :**

Electrical for Robot Module **ER**

**Size :**

71 mm OD Robot Module **071**

**Style :**

(50) 3A Replaceable Spring Probe Contacts with (2) 25 Pin Connectors **005**

**SUB-MODULES:** order separately

Pneumatic with (12) M3 Air Ports **TCPR-071-001**

Pneumatic With (8) M5 Air Ports **TCPR-071-002**

Electrical w/ (25) 3A w/Solder Cups **TCER-071-001**

Electrical w/ (25) 3A w/Connector **TCER-071-002**

Electrical w/ (50) 3A w/Solder Cups **TCER-071-004**

**ACCESSORIES:** order separately

Replacement Spring Contact Probe **TCER-071-006**

Mating (25) pin Electrical Connector **TCER-071-003**